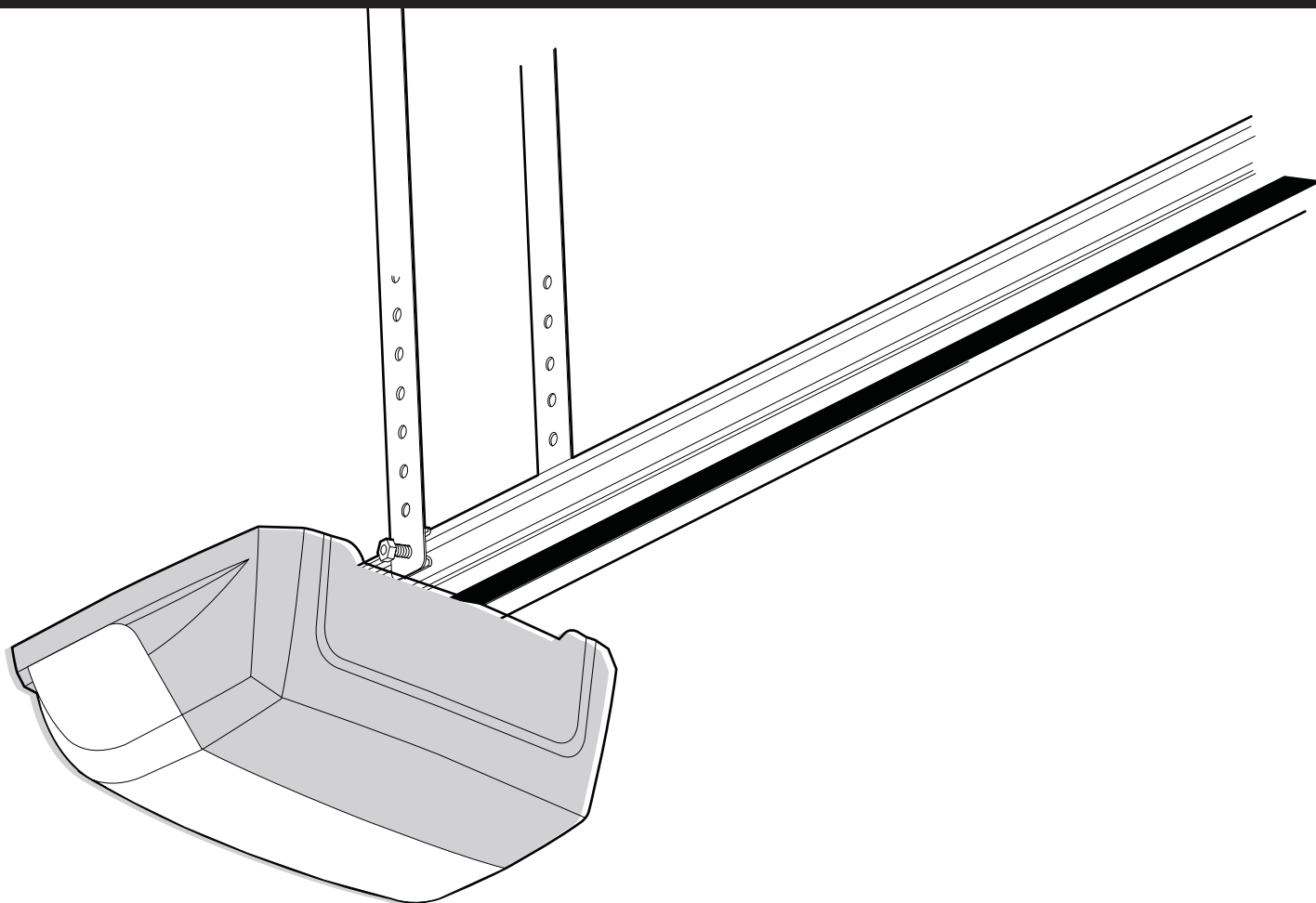


Econolift™

SECTIONAL/TILTING GARAGE DOOR OPENER



**ML500 Econolift Sectional/Tilting
Garage Door Opener**

Installation Instructions

OWNERS COPY

WARNING

It is vital for the safety of persons to follow all instructions. Failure to comply with the installation instructions and the safety warnings may result in serious personal injury and/or property and remote control opener damage.

Please save these instructions for future reference.

Start by Reading These Important Safety Rules



These safety alert symbols mean **WARNING** – a personal safety or property damage instruction.

Read these instructions carefully.

This garage door opener is designed and tested to offer reasonable safe service provided it is installed and operated in strict accordance with the following safety rules.

Failure to comply with the following instructions may result in serious personal injury or property damage.

WARNING: If your garage has no service entrance door, a Combo Access Device must be installed. This accessory allows manual operation of the garage door from outside in case of power failure.



Keep garage door balanced. Sticking or binding doors must be repaired. Garage doors, door springs, cables, pulleys, brackets and their hardware are under extreme tension and can cause serious personal injury. **Do not attempt to loosen, move or adjust them.** Call for garage door service.



Do not wear rings, watches or loose clothing while installing or servicing a garage door opener.



To avoid serious personal injury from entanglement, **remove all ropes connected to the garage door** before installing the door opener.



Installation and wiring must be in compliance with your local building and electrical codes. **This a class 2 double insulated product, connection to earth is not required or provided.**



Lightweight doors of fibreglass, aluminum or steel must be substantially reinforced to avoid door damage. The best solution is to check with your garage door manufacturer for an opener installation reinforcement kit.



The safety reverse system test is very important. Your garage door **MUST** reverse on contact with a 40mm obstacle placed on the floor. Failure to properly adjust the opener may result in serious personal injury from a closing garage door. **Repeat the test once a month and make any needed adjustments.**



This unit should not be installed in a damp or wet space.



Door must not extend over a public byway during operation.



Fasten the **child warning label** adjacent to the lighted door control button as a reminder of safe operating procedures.



Disengage all existing garage door locks to avoid damage to garage door.



Any door control buttons (if installed) **MUST be located where the garage door is visible, but out of the reach of children. Do not allow children to operate push button(s) or remote control(s). Serious personal injury from a closing garage door may result from misuse of the opener.**



Activate opener ONLY when the door is in full view, free of obstructions and opener is properly adjusted. No one should enter or leave the garage while the door is in motion. Do not allow children to play near the door.



Use manual release only to disengage the trolley and, if possible, **ONLY** when the door is closed. **Do not use the red handle to pull the door open or closed.**



Disconnect electric power to the garage door opener before making repairs or removing covers.



This product is provided with a transformer and power supply cord of special design which, **if damaged, MUST be replaced by a transformer from an approved B&D distributor and fitted by a specialist.**

SAVE THESE INSTRUCTIONS

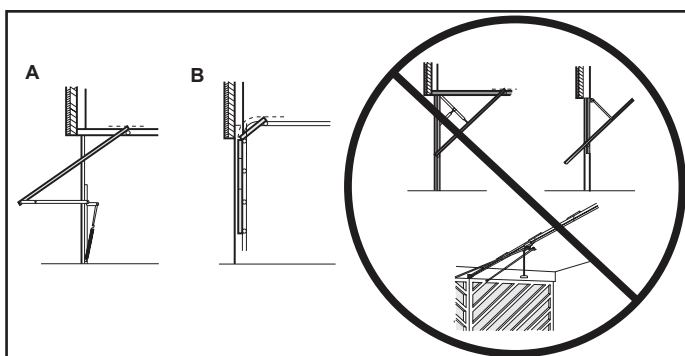
Before You Begin

1. Look at the wall or ceiling above the garage door. The header bracket **MUST** be securely fastened to structural supports.
2. Do you have a finished ceiling in your garage? If so, a support bracket and additional fastening hardware (not supplied) may be required.
3. Do you have an access door in addition to the garage door? If not, a Combo Access Device is required.

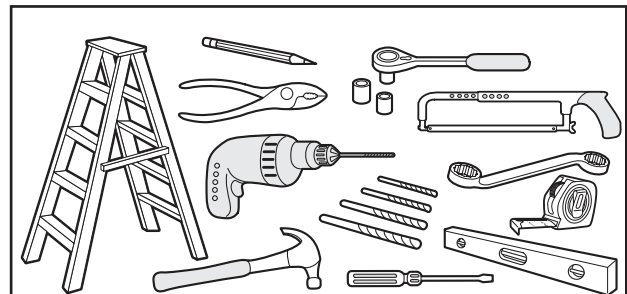
1 Door Types

- A. One-Piece Door with Horizontal Track Only**
- Single Door Only Up To 8m²
- B. Sectional Door with Curved Track**
- Single Door Only Up To 8m²

NOTE: Unit will not work with One-Piece Doors with Horizontal and Vertical Tracks, Double-Wing Doors, or Canopy Doors.



2 Tools Required for Installation



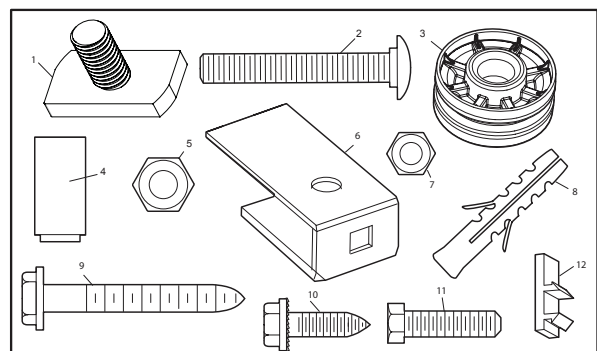
3 Hardware Provided

ASSEMBLY HARDWARE

- | | | | |
|-----------------------|-----|-------------------|-----|
| 1. Square Head Screws | (4) | 4. Pin | (1) |
| 2. 8mm Carriage Bolt | (1) | 5. 8mm Lock Nut | (1) |
| 3. Cable Pulley | (1) | 6. Pulley Bracket | (1) |

INSTALLATION HARDWARE

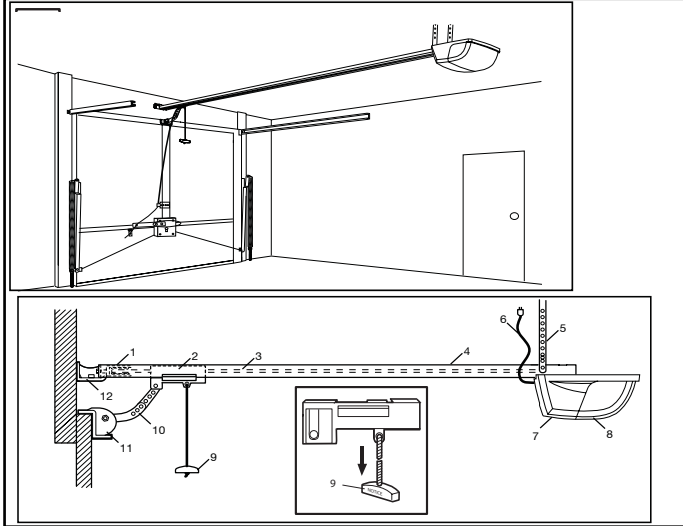
- | | | | |
|--------------------|-----|------------------------------|-----|
| 7. 6mm Nut | (8) | 10. 6mm Self-Threading Screw | (4) |
| 8. Concrete Anchor | (4) | 11. 6mm Hex Bolt | (4) |
| 9. 6mm Lag Bolt | (4) | 12. Wire Clips | (3) |



4 Completed Installation

As you proceed with the assembly, installation and adjustment procedures in this manual, you may find it helpful to refer back to this illustration of a completed installation.

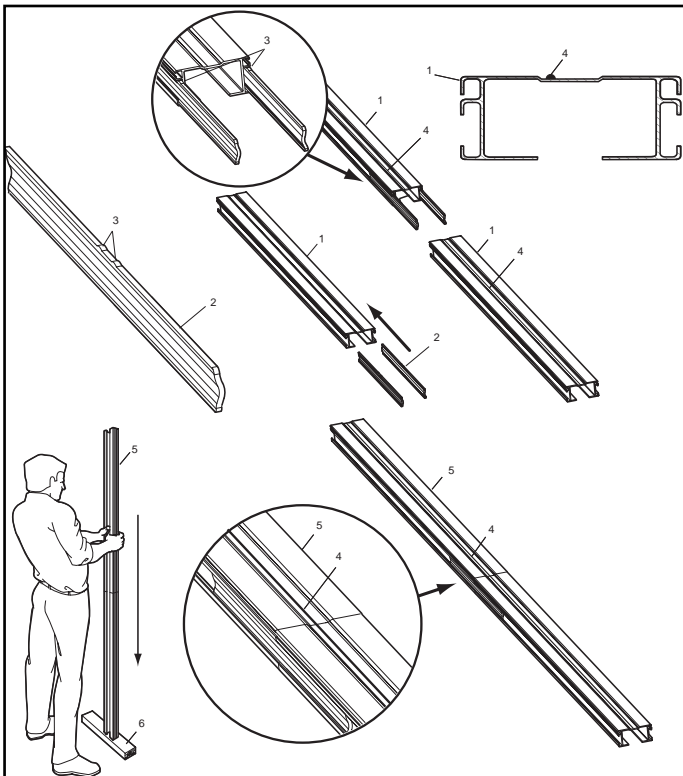
- | | |
|--------------------------|----------------------------------|
| (1) Cable Pulley Bracket | (8) Light Lens |
| (2) Trolley | (9) Manual Release Rope & Handle |
| (3) Chain/Cable Assembly | (10) Door Arm |
| (4) Rail | (11) Door Bracket |
| (5) Hanging Bracket | (12) Header Bracket |
| (6) Power Cord | |
| (7) Opener | |



ASSEMBLY SECTION

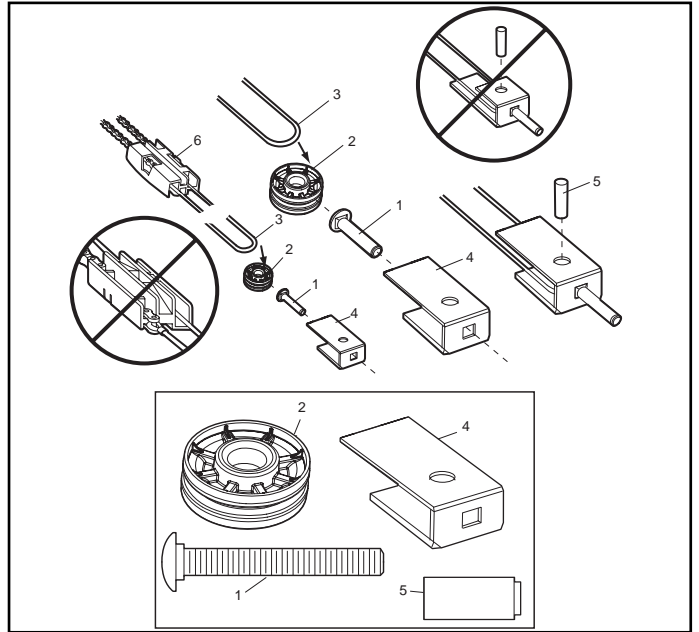
5 Assemble Rail

Place Rail pieces (1) on a flat surface for assembly. Take special note of the raised line on the Rail pieces (4) these lines MUST line up in order for the Rail to fit together properly. All three Rail sections are interchangeable. Slide Rail Braces (2) into slots on the sides of Rail. Make sure small tabs on Rail Braces (3) are up against top lip of Rail. Connect Rail by sliding other end of braces into next Rail. Be sure the raised lines that run down Rail sections (4) line up. Tap Rail assembly (5) on a piece of wood (6) until Rail sections are flush. Repeat for final Rail section.



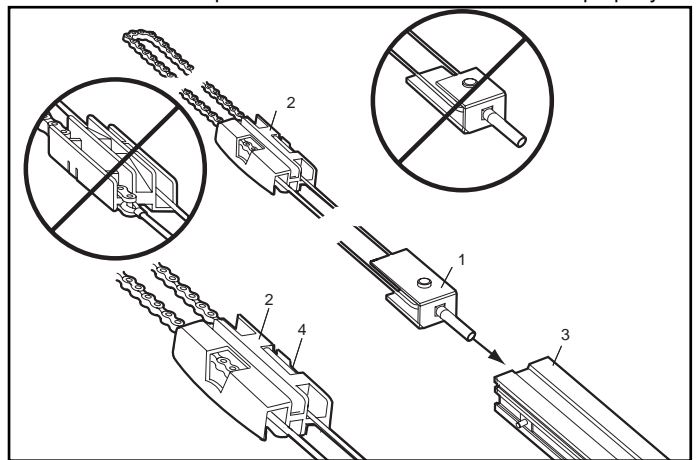
6 Assemble Cable Pulley Bracket

Insert Carriage Bolt (1) through square hole in Cable Pulley Bracket (4). Remove Chain/Cable assembly (3) from carton. Wrap Cable around Cable Pulley (2) and insert Pulley into Bracket (**NOTE: Make sure the Bracket is assembled in position shown**). Slide pin (5) through holes in Cable Pulley Bracket and Cable Pulley. **NOTE: Trolley with Magnet (6) MUST be installed in the position shown.**



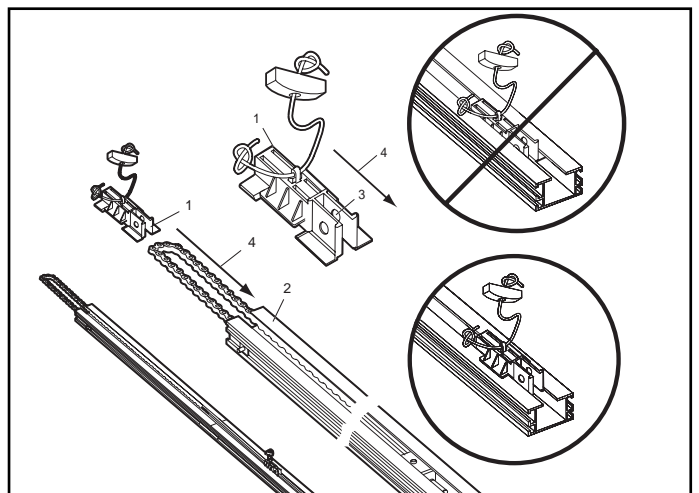
7 Insert Chain/Cable into Rail

Slide Cable Pulley Bracket (1) into Rail assembly (3), be sure to insert Cable Pulley Bracket as shown. Push Cable Pulley Bracket toward front of Rail and slide Inner Trolley (2) into Rail assembly. Magnet (4) MUST be installed in position shown or unit will not function properly.



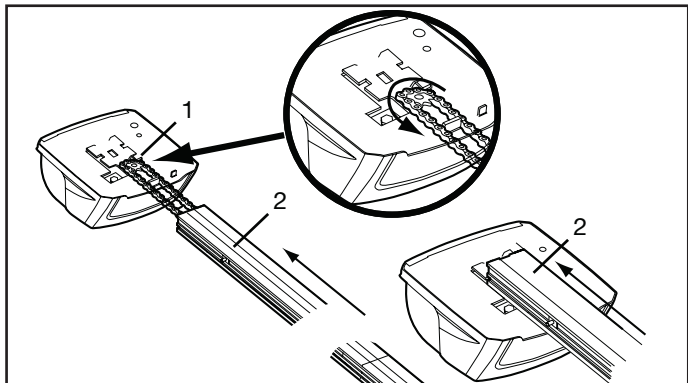
8 Attach Trolley to Rail

Turn Rail assembly over. Slide Outer Trolley (1) into Rail assembly (2), be sure the end with Door Arm Hole (3) is heading in direction of door (4). Slide Outer Trolley down Rail until it engages with Inner Trolley.



9 Attach Rail to Unit

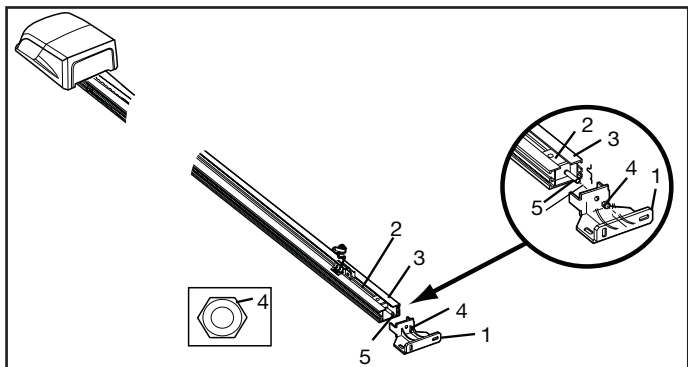
Turn Rail assembly over. Wrap Chain around Drive Sprocket (1). Slide Rail assembly (2) toward unit and into slots on top of unit. Push Cable Pulley Bracket forward making Chain tight on sprocket. Chain MUST engage teeth on Drive Sprocket.



10 Attach Header Bracket

Turn Rail and Unit assembly over. Slide Cable Pulley Bracket (2) toward front end of Rail (3). Be careful Chain does not come off Drive Sprocket on unit or become twisted. Slide Carriage Bolt (5) into Header Bracket (1). Secure with Lock Nut (4). Tighten Nut until Chain does not droop below rail. Do NOT over tighten.

ASSEMBLY OF YOUR OPENER IS NOW COMPLETE.

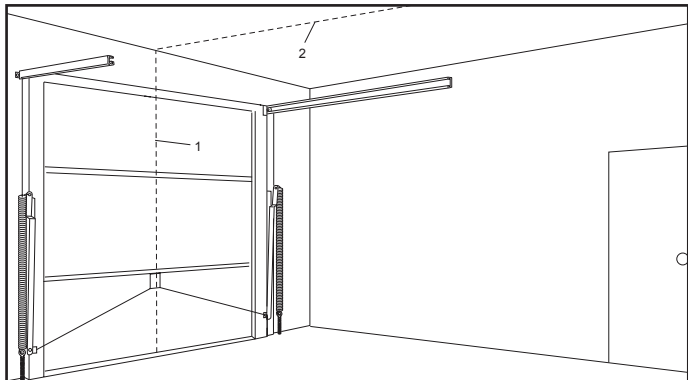


INSTALLATION SECTION

Wear protective goggles when working overhead to protect your eyes from injury. Disengage all existing garage door locks to avoid damage to garage door. To avoid serious personal injury from entanglement, remove all ropes connected to garage door before installing opener. It is recommended that the opener be installed 2.1m or more above the floor where space permits.

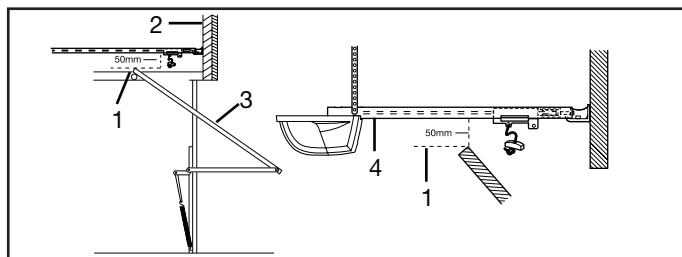
11 Find Centre of Garage

Mark centre of door (1). Extend line onto ceiling (2).



12 Position Opener

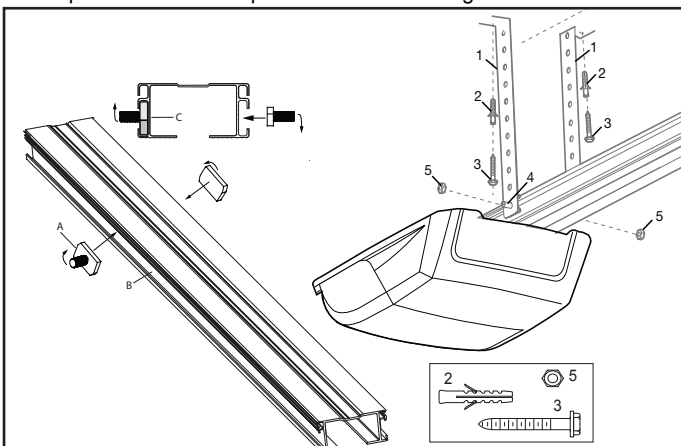
Open Door (3) to its highest point of travel (1) measure 20mm above this point and mark on Header Wall (2). The bottom of the Rail (4) should be no more than 20mm above highest point of travel of the door (1). **NOTE: If door spring is in the way install unit directly above spring. Clearance between highest point of travel and Rail should not exceed 50mm and can be zero when clearance between door and ceiling is only 30mm.**



13 Hang Opener

Bend Hanging Brackets (1) so they are flat against ceiling. Measure distance from Header Bracket to Ceiling Mounting Bracket Bolts. Mark length on ceiling starting at the Header Wall, along this point is where the unit will be mounted. Lift door to full open position, rest opener on door. Insert Square Head Screws (A) into Rail assembly (B) approximately 120mm from end of Rail near motor unit. Slide Hanging Brackets on to Square Head Screws and secure Brackets with Nuts (5). In this process the Square Head Screws hook into slots on the sides of rail (C). For concrete ceilings, drill 8mm pilot holes into ceiling and insert Concrete Anchors (2). Secure Hanging Brackets with Lag Screws (3). For wood ceilings, drill 4mm pilot holes and secure with Lag Screws (3).

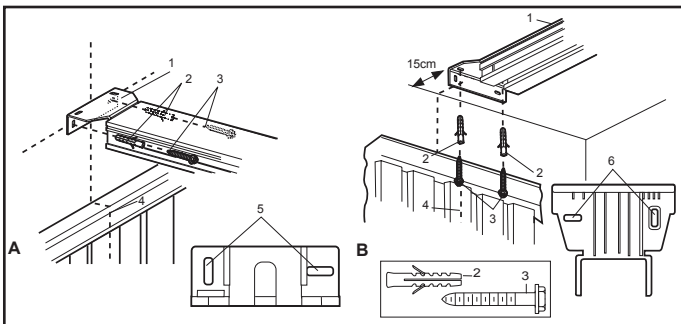
Optional: A second set of hanging brackets is recommended when door is very heavy. The hanging brackets should be located in the first third to the center of the rail from the front or at the location the garage door opener lifts the rail upwards the most during the travel.



14 Mount Header Bracket

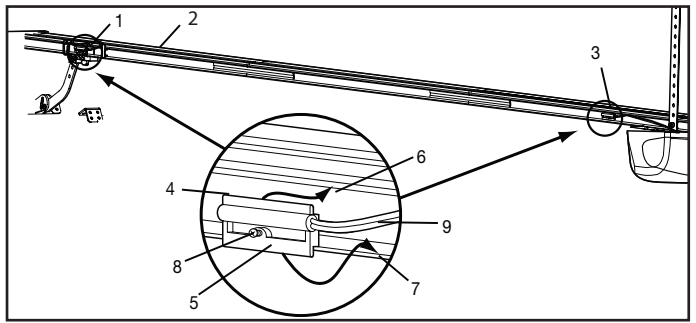
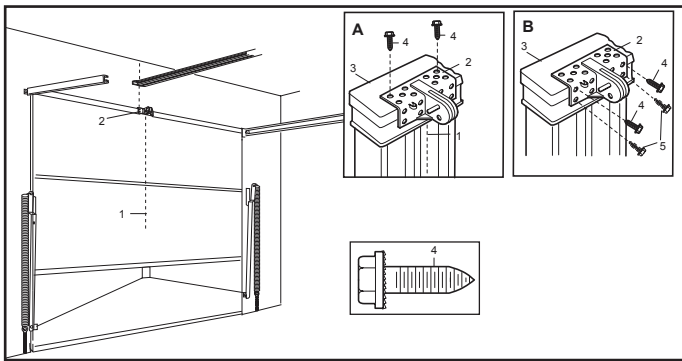
Close door providing a support for header bracket.

- A. Preferred:
Locate the vertical centre line (4) and the point that was marked in step 13. Place bottom of Header bracket (1) over this point. Mark holes for Header Bracket (5) that meet the wall. For concrete walls drill 8mm pilot holes. Insert Concrete Anchors (2) and secure Header Bracket to Header Wall with Lag Screws (3). For wood walls, drill 4mm pilot holes and secure header bracket with Lag Screws.
- B. If Necessary:
Locate centre line on ceiling (4) center Header Bracket over center line. Mark and drill pilot holes for concrete or wood ceilings as in A above. Tighten all nuts and bolts securely.



15 Fasten Door Bracket

- A. Place Door Bracket (2) on the top of the door (3) and centre over Vertical Centre Line (1). Mark the two rear top holes. Drill 4mm holes.
- B. Mark the two top front holes. Drill 4mm holes. Fasten Door Bracket (2) to the top of the door (3) using Screws (4)



16 Connect Door Arm to Trolley

A. Preferred Installation:

Disconnect Trolley by pulling on the red handle and slide towards door. With door closed connect Straight Door Arm (5) to Trolley (4) with Bolt (3), secure with Nut (1). Connect Curved Door Arm (2) to Door Bracket with Bolt (3) Secure with Nut (1). Align Straight and Curved Door Arms with a 2 hole overlap connect with Bolt (3), secure with Nut (1), If Straight Door Arm (5) is too long, cut the end of the Door Arm.

B. Where extra travel distance is required:

With door closed connect Curved Door Arm (2) to Door Bracket with Bolt (3), secure with Nut (1). Lift Curved Door Arm (2) to meet Trolley, connect door arm to Trolley with Bolt (3), secure with Nut (1).

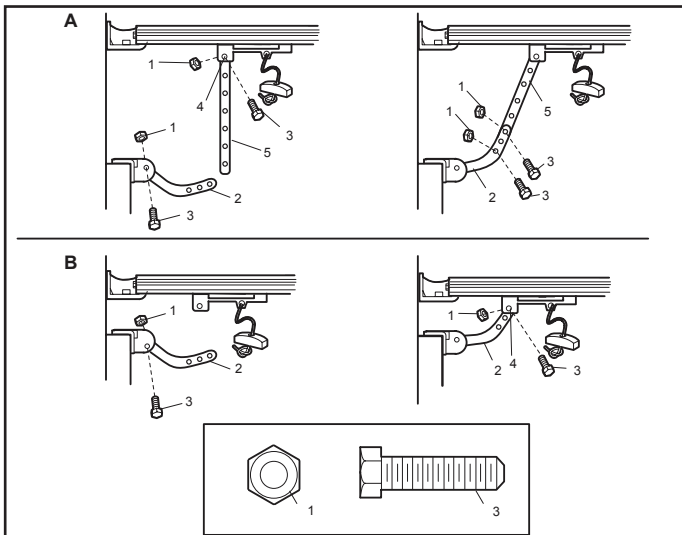
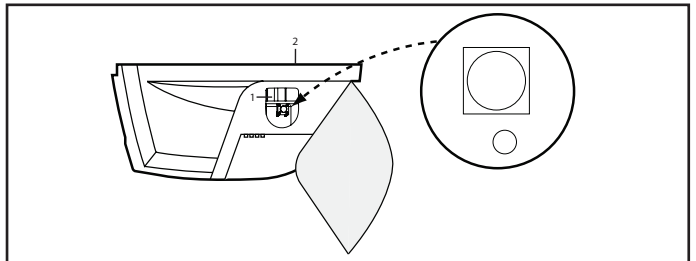
Connect Electric Power

To avoid installation difficulties, do not run the garage door opener until instructed to do so.

Plug the opener into electric outlets as specified by local wiring codes. The opener light will turn on when power is connected and remain on for 2-1/2 minutes.

18 Setting the Force

The Force is programmed to operate most doors, however, if Limits are not able to be set, or the door reverses during normal operation follow this procedure: Locate the Program Button (1) on the left side panel of unit (2). Push the Program Button twice to enter unit into Auto-Force Adjustment Mode. The green LED will flash slowly. Activate unit with remote and run the unit to the Open Limit. Activate unit again to run the unit to the Closed Limit. The door must travel through a complete cycle up and down in order for the Force to be set properly. If the unit stops before it reaches the Open or Close Limit repeat the process. The green LED will stop flashing when the Force has been learnt.



19 Test the Safety Reverse System

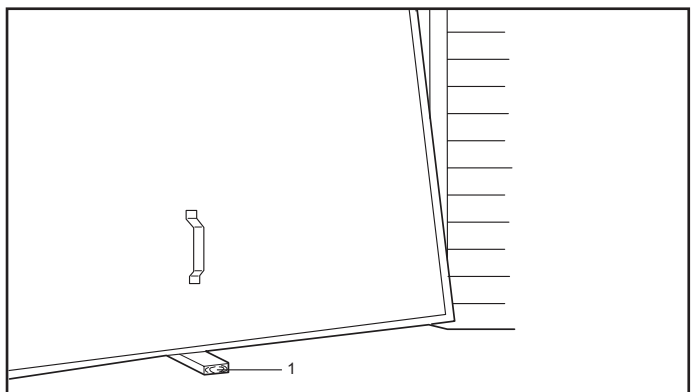
The safety reverse system test is important. Garage door must reverse on contact with a 40mm obstacle laid flat on the floor. Failure to properly adjust opener may result in serious personal injury from a closing garage door. Repeat test once a month and adjust as needed.

Procedure: Place a 40mm obstacle (1) laid flat on the floor under the garage door. Operate the door in the **down** direction. The door **must** reverse on the obstruction. If the door **stops** on the obstruction, it is not travelling far enough in the **down** direction. Move Close Limit closer to door.

When the door reverses on the 40mm obstacle, remove the obstruction and run the opener through a complete travel cycle. Door **must not** reverse in closed position. If it does, adjust Limit and repeat safety reverse test.

Place 20kg at the center of the door and ensure that the door will not move up more than 500mm.

SAVE THESE INSTRUCTIONS



17 Attach Limit Switches

NOTE: The limits must be installed as shown. If installed incorrectly the unit will not function properly.

Close garage door by hand. Determine the position of the Close Limit Switch (1) (Long wire) by aligning the centre of trolley and the centre of the Limit Switch. The Limit Switches are actuated by a magnet in the Inner Trolley. Insert bottom tab (5) of Limit Switch (1) into bottom lip of Rail (7). Insert top tab (4) under top lip of Rail (6). Lift limit assembly against top lip of Rail and tighten screw (8) to secure Close Limit Switch. Open garage door by hand to the full open position. Pull red handle to open door past Inner Trolley. Determine the position of the Open Limit Switch (3) (Short Wire) by aligning the centre of the Trolley and the centre of the Limit Switch. Insert bottom tab (5) of Limit Switch (1) into bottom lip of rail (7). Insert top tab (4) under top lip of rail (6). Lift limit assembly against top lip of rail and tighten screw (8) to secure Open Limit Switch. Insert wires for Limit Switch (9) into top channel of Rail (10). Secure wires with wire clip. the wires must be secured so they do not interfere with the travel of the Trolley. Activate remote, the opener will operate and reconnect to the door automatically. Run opener 2 full travel cycles. If the door reverses in mid travel go to Setting the Force Section. Adjust Limit Switches as necessary to fully open and close the door without reversing.

20 Program Remotes

Activate the opener only when door is in full view, free of obstruction and properly adjusted. No one should enter or leave garage while door is in motion.

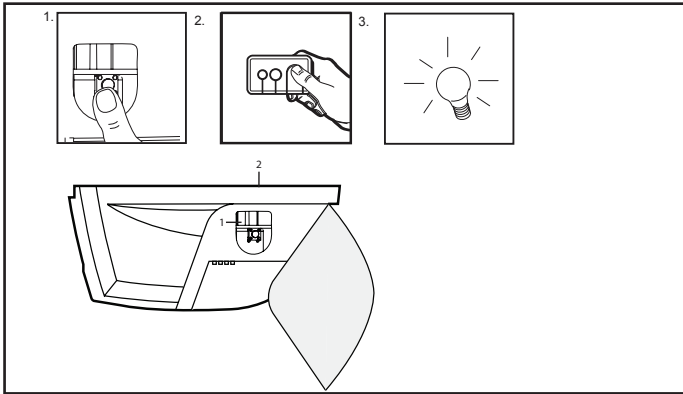
Your garage door opener receiver and Remote Control Transmitter are set to a matching code. If you purchase additional Remote Controls, the garage door opener must be programmed to accept the new Remote code.

To program receiver to match additional Remote Control codes:

1. Press and release the program button on the side of the unit (1). The green LED will glow steadily for 30 seconds.
2. Within 30 seconds press and hold the button on the hand-held Remote (2).
3. Release the button when the motor unit light blinks. It has learned the code. If the light bulb is not installed, two clicks will be heard.

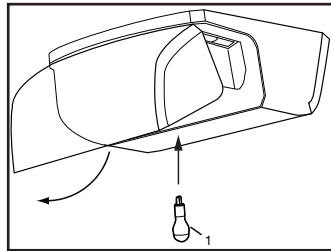
To erase all codes from motor unit memory or to deactivate any unwanted Remote, first erase all codes:

Press and hold the program button (1) on motor unit until the learn indicator light goes out (approximately 6 seconds). All previous codes are now erased. Reprogram each Remote or Keyless Entry you wish to use.



21 Replace Light Bulb

Replace light bulb (1) with a 21 watt maximum light bulb. Insert bulb into socket as shown. The light will turn on and remain lit for 2 1/2 minutes when power is connected. After 2 1/2 minutes it will turn off.



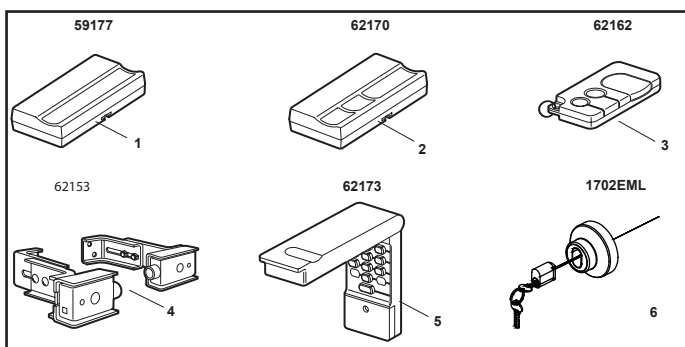
Install Safety Infrared Beam Kit (Optional) – (See accessories)

After opener has been installed and adjusted, optional IR beams can be installed. Instructions are included with this device. It uses an invisible beam which, when broken by an obstruction, causes a closing door to open and prevents an open door from closing and is *strongly recommended for homeowners with young children*.

The IR Beams provide an additional measure of safety against a small child being caught under a garage door.

22 Accessories

- | | |
|-----------------|--------------------------------|
| (1) Model 59177 | Single Function Remote Control |
| (2) Model 62170 | 3-Function Remote Control |
| (3) Model 62162 | 3-Function Mini Remote Control |
| (4) Model 62153 | Safety Infrared Photo Beams |
| (5) Model 62173 | Wireless Keyless Entry Keypad |
| (6) Model 59009 | Combo Access Device |



Specifications

Input Voltage	.230 VAC 50/60 Hz
Max. Pull force	.600N
Rated Power Input	.85 Watts
Rated Load	.3.0 Nm
Standby Power	.9 Watts
Max. Door Weight	.60kg

Motor

Type	.63:1 Worm Gear Reduction
Volts	.24VDC

Drive Mechanism

Length of Travel	.2.8M
Travel Rate	.8cm/sec
Lamp	.24V 21 Watts

Safety

Electronic	.Auto-Force Adjustment
Electrical	.Thermal Fuse in Transformer
Limit Adjustment	.Manual

Dimension

Length (Overall)	.3.3m
Headroom Required	.3.0m
Hanging Weight	.1.0kg

Receiver Code Registers

Fixed Code	.8
Dip Switch	.1
Keypad	.1
Operating Frequency	.433.92MHz

Operation Of Your Opener

Your opener can be activated by any of the following devices:

- The Remote Control Transmitter. Hold the push button down until the door starts to move.
- The Outside Keylock or Keyless Entry System (if you have installed either of these accessories).

Opening the Door Manually:

Door should be fully closed if possible. Weak or broken springs could allow an open door to fall rapidly.

Property damage or serious personal injury could result.

The door can be opened manually by pulling the release handle down. To reconnect the door, activate the unit.

Do not use the manual release handle to pull the door open or closed.

When the Opener is Activated by Remote:

1. If fully open, the door will close.
2. If closed, the door will open.
3. If opening or closing, the door will stop.
4. If partially open, the door will move in the opposite direction of last travel.
5. If an obstruction is encountered while closing, the door will reverse to the open position.
6. If an obstruction is encountered while opening, the door will reverse for 1 second.
7. The optional IR Beams use an invisible beam which, when broken by an obstruction, causes a closing door to open and prevents an open door from closing. It is **STRONGLY RECOMMENDED** for homeowners with young children.

Allow a 15 minute cooling period after 5 continuous operations of the opener. The opener light will turn on: 1. when opener is initially plugged in; 2. when the power is interrupted; 3. when the opener is activated. The light turns off automatically after 2-1/2 minutes. Bulb size is 21 Watts maximum.

Care Of Your Opener

When properly installed, opener will provide high performance with a minimum of maintenance. The opener does not require additional lubrication.

Limit and Force Adjustments: These adjustments must be checked and properly set when opener is installed. Only a screwdriver is required to adjust the limits. Weather conditions may cause some minor changes in the door operation, requiring some re-adjustments, particularly during the first year of operation.

Refer to the Limit and Force Adjustments on page 2. Follow the instructions carefully and **repeat the safety reverse test after any adjustment.**

Remote Control Transmitter: Additional Remotes can be purchased at any time for use in all vehicles using garage. Refer to Accessories. The receiver must be programmed to operate with any new Remote.

Remote Control Battery: The lithium batteries should produce power for up to 5 years. If transmission range lessens, replace battery.

To Change Battery: Insert batteries positive side up. To replace cover, snap shut along both sides. Do not dispose of the old battery with household waste. Take batteries to a proper disposal center.

Maintenance Of Your Opener

Once a Month:

- Repeat safety reverse test. Make any necessary adjustments.
- Manually operate door. If it is unbalanced or binding, call for professional garage door service.
- Check to be sure door opens and closes fully. Adjust Limits and/or Force if necessary.

Twice a Year:

- Check chain tension. Disconnect Trolley first. Adjust if necessary.

Once a Year:

Oil door roller, bearings and hinges. The opener does not require additional lubrication. Do not grease the door tracks.

HAVING A PROBLEM?

1. Opener doesn't operate from remote:

- Does the opener have electric power? Plug lamp into outlet. If it doesn't light, check the fuse box or the circuit breaker.
- Have you disengaged all door locks? Review installation instruction warning on page 1.
- Try a new battery.

- If you have two or more remotes and only one operates, review receiver programming procedures in Step 21.
 - Is there a build-up of ice or snow under door? The door may be frozen to ground. Remove any obstruction.
 - The garage door spring may be broken. Have it professionally replaced.
- 2. Remote has short range:**
- Is battery installed? Try a new one.
 - Change the location of the remote control in the car.
 - The metal garage door, foil-backed insulation or metal siding will reduce the transmission range.
- 3. Door reverses for no apparent reason and opener lights don't blink:**
- Is something obstructing the door? Pull Manual Release Handle. Operate door manually. If it is unbalance or binding, call for professional garage door service.
 - Reprogram the Force.
 - Clear any ice or snow from garage floor area where garage door closes.
 - If door reverses in fully closed position, adjust the Close Limit.
- Repeat safety reverse test after adjustment is complete.**
The need for occasional adjustment of the Limit positions is normal. Weather conditions in particular can affect door travel.
- 4. Door reverses for no apparent reason:**
- Check IR BEAMS (if you have installed this accessory). If the light is blinking, correct alignment.
- 5. The garage door opens and closes by itself:**
- (Keypad or Code Switch transmitters only) Is there a neighbor with a garage door opener using the same code? Change your code.
 - Make sure remote push button is not stuck in ON position.
- 6. Door does not close completely:**
Adjust the Close Limit.
- Repeat safety reverse test after any adjustment of door arm length, or Close Limit.**
- 7. Door opens but won't close:**
- Check Photocells (if you have installed this accessory). If the light is blinking, correct alignment.
- Repeat the safety reverse test after the adjustment is complete.**
- 8. Opener light does not turn on:**
Replace light bulb (21 Watts maximum).
- 9. Opener light does not turn off:**
Defective logic board.
- 10. Opener motor hums briefly, then won't work:**
- Garage door springs are broken. Close door and use Manual Release Rope and handle to disconnect Trolley. Open and close door manually. A properly balanced door will stay in any point of travel while being supported entirely by its springs. If it does not, call for a professional garage door service to correct the problem.
 - If problem occurs on first operation at opener, door may be locked. Disable door lock.
- 11. Opener won't activate due to power failure:**
- Pull Manual Release Handle to disconnect Trolley. Door can be opened and closed manually. The next time opener is activated, the Trolley will reconnect.
 - The Combo Access Device (if fitted) disconnects the Trolley from outside the garage in case of power failure.
- 12. Door reverses after the force adjustment was completed.**
- Watch rail if it bends or swings. If so, see point 13+14.
 - Door is very heavy and/or in bad condition. Call for professional garage door service.
- 13. Rail bends respectively rail swings a lot**
- Use additional hanging brackets for the rail.
 - Garage door is very heavy or in bad condition. Call for professional garage door service.
- 14. Do I need to use the additional hanging brackets?**
- Avoids bending or swinging of rail.
- 15. Opener light flares**
- When the garage door is very heavy or isn't smooth running.
- 16. Opener overrides one of the limit switches**
- Limit switches are not installed at the correct side of the rail and/or in the location. See "Attach Limit Switch"
 - A functional test of the rail contact (cable) can be made with a simple household magnet.
 - Check condition of cables for insulation damages
 - Check if the magnet located inside the inner trolley is in place

WARRANTY

Product: Econolift Automatic Garage Door Opener

Purchased from: _____

Purchaser: _____
(described as "you" below)

Address: _____

Installed by: _____

Installed on (date): _____

Invoice No: _____

- 1 **Making a claim** - To make a warranty claim you must:
 - (a) produce a copy of the receipt of purchase, together with this warranty certificate with the above details completed;
 - (b) where the Product has been sold by B&D, make all warranty claims directly with B&D; or
 - (c) where the Product has been sold by an approved distributor, make all warranty claims directly with the approved distributor.
- 2 **B&D or approved distributors only** - This warranty applies only to Products sold by B&D or its approved distributor. 'B&D' means in Australia - B&D Doors of 17 Oasis Court Clontarf, Queensland 4019 and in New Zealand - B&D Doors (NZ) Ltd of 70 Allens Road East Tamaki Auckland.
- 3 **What the warranty covers** - B&D warrants that it will, at its option, either repair or replace (in a manner B&D considers reasonable) any proven defects:
 - (a) in installation for a period of one year from the date of installation where the Product has been installed by B&D or its approved distributor;
 - (b) in materials, manufacture or workmanship in the Product for a period of one year for all components of the Product that are installed by B&D or an approved distributor (provided that the Product is serviced annually by B&D or its approved distributor) and commencing from the later of the date of purchase, delivery or installation by B&D or an approved distributor (as applicable).
- 4 **What the warranty does not cover** - This warranty does not cover:
 - (a) **batteries or globes** - B&D will not be liable for any defect or failure in them;
 - (b) **high frequency** - uses of the Product in high frequency industrial use situations (eg entry to a car park or frequently operated factory doors) - you will need to consult B&D for further information regarding any applicable warranty period for such applications;
 - (c) **adjustments** - (as described in the Instruction Manual provided with the Product) which are not defects - you will need to pay for any service calls for adjustments;
 - (d) **model modifications** - B&D will not be required to incorporate modifications made to existing/future Product models;
 - (e) **additional access expenses** - incurred by B&D or an approved

distributor in obtaining access where the Product is not readily accessible - you will need to pay for those additional expenses.

- 5 **What voids the warranty** - Subject to clause 6, this warranty does not extend to, and B&D will be relieved of, all obligations, responsibilities and liabilities in the event that defects in the Product are directly or indirectly, in the opinion of B&D, due to or result from:
 - (a) **unreasonable use** - the Product not being used correctly in accordance with the Instruction Manual or other unreasonable use;
 - (b) **instructions** - failure to observe any instructions or directions (including "warning" notifications in the Instruction Manual), provided with the Product or given to you;
 - (c) **other devices** - the Product being fitted to any door or other closing device which is not of the type or condition defined in the Instruction Manual as suitable for installation of the Product;
 - (d) **installation or adjustment** - faulty installation or adjustment of the Product or door to which the Product is connected where such installation or adjustment is not carried out by B&D or its approved distributors;
 - (e) **unauthorised acts** - modifications or repairs made or attempted to be made by you or any unauthorised person;
 - (f) **service** - lack of proper maintenance, service or care of the door and Product, as specified in the owners manual;
 - (g) **outside control** - events or acts beyond the reasonable control of B&D;
 - (h) **settings** - use with doors locked or operation of the Product with excessively high opening or closing force settings
 - (i) **wiring** - faulty electrical wiring of structures to which the Product is affixed;
 - (j) **interference** - radio (including citizen band transmissions) or other electronic interference;
 - (k) **water damage** - including effects from rust and corrosion); or
 - (l) **salt** - salt corrosion or damage to the surface coatings or base materials due to environmental conditions (such as proximity to the sea-front or similar corrosive conditions).
- 6 **Statutory warranties** - This warranty certificate and other statements contained in this document or other documents given to you do not exclude, restrict or modify the application of: all or any of the provisions of Divisions 2 and 2A of Part V of the Australian Trade Practices Act, or Parts 1 and 4 of the New Zealand Consumer Guarantees Act if you are a 'consumer' and purchased the Product in New Zealand, (collectively defined as the "Act"); or the exercise of rights conferred by other statutory provisions which cannot be excluded, restricted or modified, provided that to the extent that the Act or other statutory provision permits B&D to limit its liability for a breach of an implied condition or warranty, B&D's liability for such breach is limited to the payment of the cost of replacing the Product or acquiring an equivalent Product or repairing the Product.
- 7 **Limitations** - Subject to clause 6, the obligations of B&D under this warranty are limited to those set out and this warranty is expressly instead of all other warranties, express or implied, including any implied warranty of merchantability or fitness for a particular purpose and notwithstanding any course of dealing between the parties or custom and usage in the trade to the contrary.
- 8 **No other liability** - Subject to the warranty in clause 3 and to clause 6, B&D shall not be subject to, nor incur and the purchaser releases B&D from any claim, liability, or damages by reason of delay, defective or faulty materials or workmanship, negligence or any act, matter or thing done, committed or omitted by B&D.
- 9 **Governing law** - This warranty shall be governed by and construed in accordance with Australian law if the Product was purchased in Australia, or New Zealand law if the Product was purchased in New Zealand.